



JIP: AUV INTERFACE
STANDARDIZATION

Versatile, Multi-Purpose Pinless Underwater Connector

Fonn represents the convergence of patented high-speed microwave-based data transfer technology with innovative power transfer techniques. 250 W resonant power transfer provides a solution for many tooling applications and mid-range power requirements, facilitating connection freedom in the harshest environments.



Connecting freedom
Misalignment tolerance
360° continuous rotate
Infinite mating cycles



Data + Power Transfer
From 100 Mbps
Ethernet & serial data formats
Fibre optic & copper interfaces



Standardized interface
Genderless mating faces
No pin-count
Flexible mounting features
Latching & packaging options



DATA TRANSFER

Data Rate 300 Mbps^{1 3}

Data Type Ethernet and Serial (RS232, RS422, RS485)²

POWER TRANSFER

Power input 24 VDC, Reverse polarity protected, or
115-264 VAC/150-350 VDC

Power output⁴ 24 VDC \pm 10%, 250W

Distance 0 to 10 mm

MECHANICAL PROPERTIES

Fonn Transmitter (Tx)

Fonn Receiver (Rx)

Weight in air 8.4 kg

9 kg

Weight in seawater 3.1 kg

3.8 kg

Housing Aluminum⁵

Aluminum⁵

Encapsulation Atmospheric⁶

Atmospheric⁶

1 Options include video or customer-specified data format

2 Bandwidth is shared between data types; maximum serial baudrate 230 kbps

3 Note that combined misalignments, water salinity level and temperature will affect data transfer performance

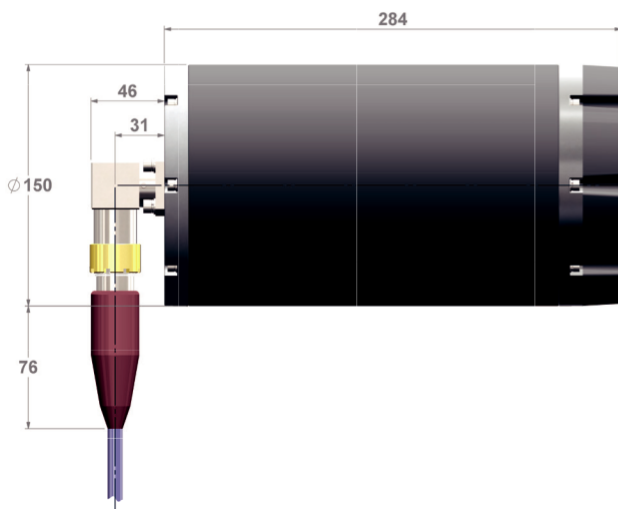
4 Customer-defined power requirements can be accommodated, including alternative voltage output (e.g. 12 VDC, 48 VDC)

5 Customer-specified materials for housing are possible including 316 or Duplex SS, beryllium copper or titanium

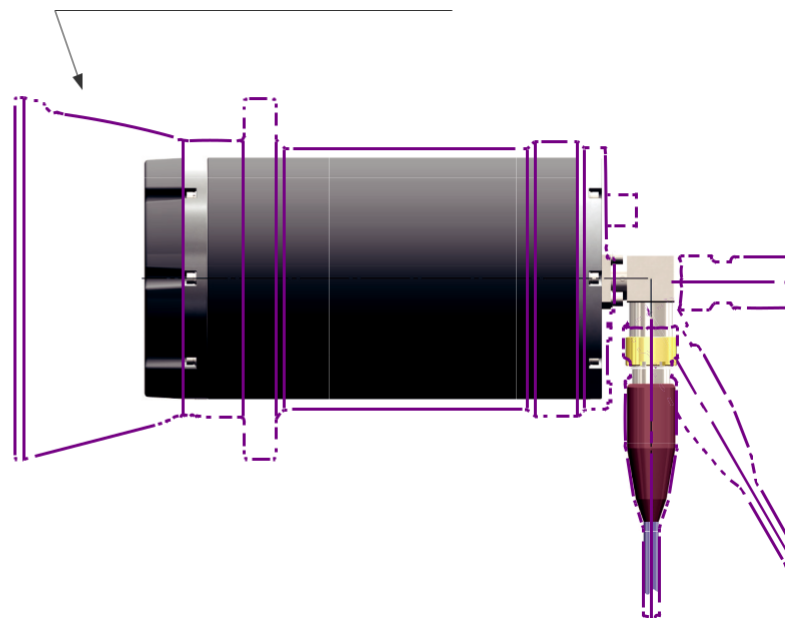
6 Optional encapsulation possible including PBOF (pressure-balanced, oil-filled) with DC200 silicone oil or suitable customer specified oil; external compensator required

System may require heatsink if long operation required in air.

Dimensions are in millimetres (mm)



OPTIONS INCLUDE LATCH/MATING SYSTEMS,
ROV HANDLE, CONNECTOR/PENETRATOR



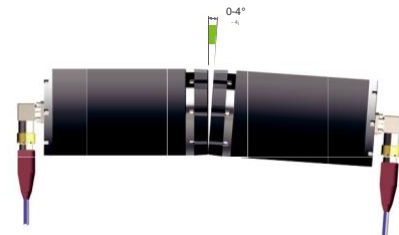
Flexible Operational Tolerances

WiSub pinless connectors overcome sub-millimeter tolerances to offer centimeter tolerances on your subsea connection applications, enabling subsea solutions never before possible with pinned connectors.

ROTATIONAL



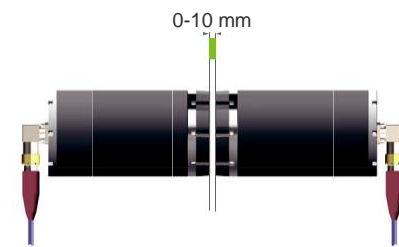
ANGULAR



CROSS-AXIAL



GAP



Comparative Advantages

WiSub pinless connectors transfer data through seawater at much higher data rates than many other existing non-contact subsea communications methods, being based on WiSub-patented high-speed, high-frequency microwave electronics vs. low-frequency RF, inductive or acoustic technologies. Advantages over legacy “plug-in” wet-mate connectors include galvanic separation, alignment freedom, immunity against seal contamination and unlimited mating cycles.

WiSub pinless connectors are unaffected by acoustic disturbance and turbidity, or by marine growth that might affect optical systems. Driving electronics and transducers are optimized for through-water transmissions. Low-frequency inductive power transfer and high-frequency data transfer solutions peacefully co-existing without interference.

Strength through Collaboration

WiSub has developed solutions in partnership with industry, academia and government. If our products do not match your current needs, please contact us with your requirements and perhaps learn what’s coming down the line. Development of next-generation product is ongoing.



FONN™

As the secret of the runes unlocked insight and ability in Norse mythology, WiSub is on the journey to unlock the secret of pinless underwater connection by delivering relevant product and co-developing innovative applications with our customers.

WiSub's pinless subsea connection systems are delivered through different products which have been named after powerful weather phenomenon mentioned in the old Norse sagas.

The female snow deity Fonn is often translated to "snowdrift" and is identified as one of the daughters of the personification of snow (Snær). She lends her name to a product delivering WiSub's signature high-speed data transfer combined with power and size that serves the widest market. Fonn enables a new generation of underwater connection.



WiSub Ltd.
25A Carden Place
Aberdeen AB10 1UQ
United Kingdom
+44 12 24 51 82 60

info@wisub.com
www.wisub.com

WiSub AS
Nedre Nøttveit 16
5238 Rådal
Norway
+47 56 91 39 00