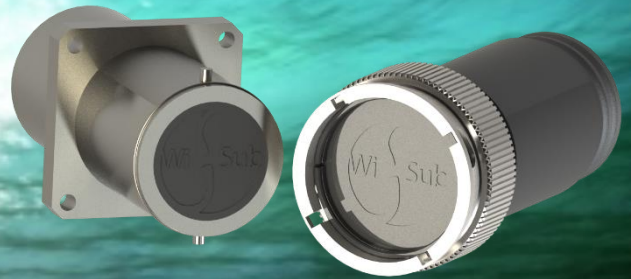


Miniaturized, Rugged Pinless Subsea Connector

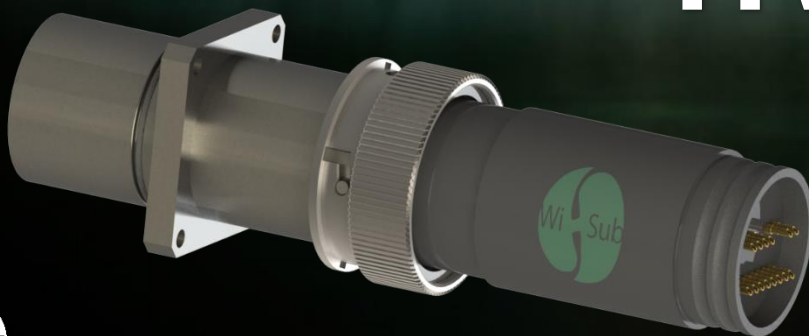
WiSub's disruptive pinless connector solutions are creating new possibilities for the safe and reliable transfer of power and data underwater. Patented high-speed data transfer capabilities converge with power transfer in the miniaturized Hvirfla connector.

Unlimited mate/de-mate cycles, immunity to contamination and loose mating tolerances offer a reliability advantage not available with legacy connectors. No Pins, No Pain™



HVIRFLA™

\vir-flə \tʃɪr-flə



Connecting freedom
Misalignment tolerance
360° continuous rotate
Infinite mating cycles



Data + Power Transfer
From 100 Mbps
Ethernet & serial data formats
Fibre optic & copper interfaces



Standardized interface
Genderless mating faces
No pin-count
Flexible mounting features
Latching & packaging options



DATA TRANSFER (bi-directional, via microwave link)

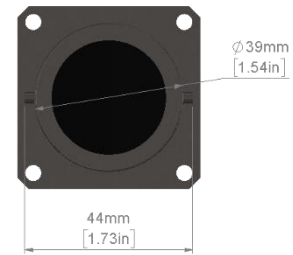
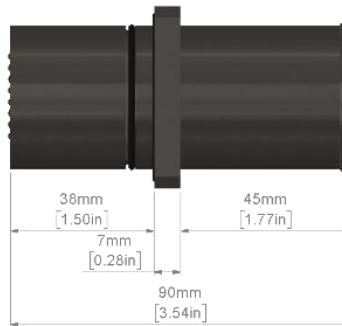
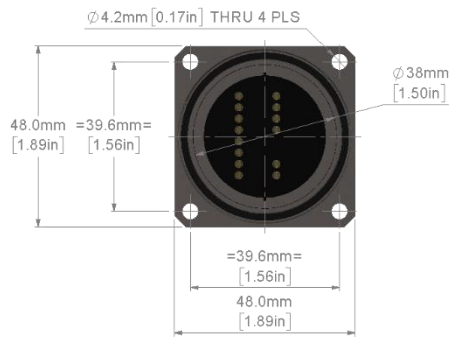
Data – Ethernet	100 Mbps: IEEE 802.3, IEEE 802.3u
Data – Serial Protocol	RS232, RS485 Half-duplex, RS485 Full-duplex
Data – Serial Baud Rates	4800, 9600, 19200, 38400, 57600, 115200, 230400

POWER TRANSFER (one-way, via inductive link)

Voltage Input	8 to 36 VDC, reverse polarity protected
Output Power	5 Watt
Output Voltage	5 VDC



Bulkhead-mount



**In-line overmould
straight or 90°**



Solder Bucket for power and data connection
Outside ϕ 2.2mm [0.087in], inside ϕ 1.8mm [0.071in]

